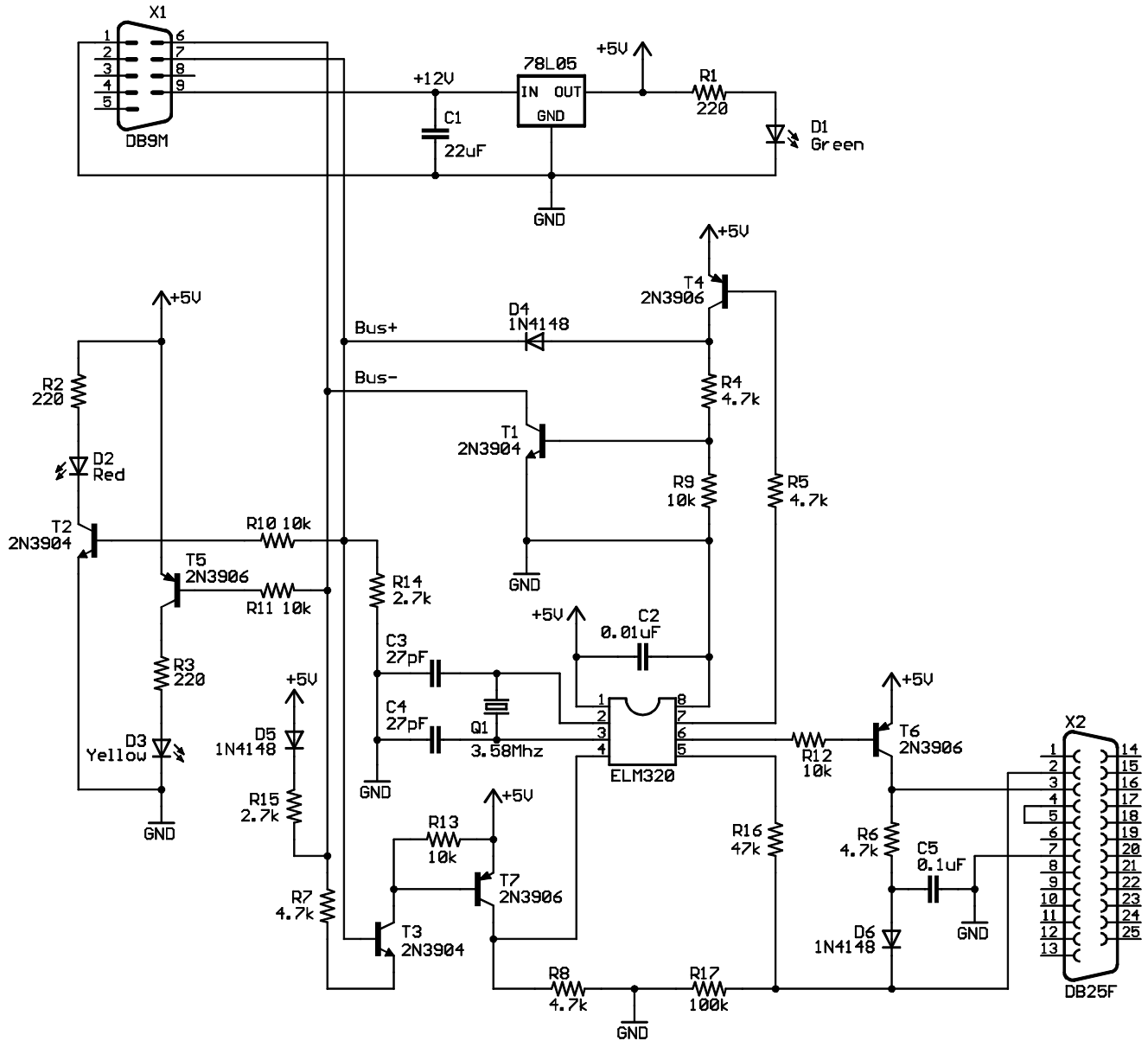


OBD-II J1850 PWM to RS-232 interface circuit schematic

Copyright 2003 ScanTool.net, <http://www.scantool.net>



ElmScan PWM Board

TITLE: elm_pwm_11

Document Number:

REV:

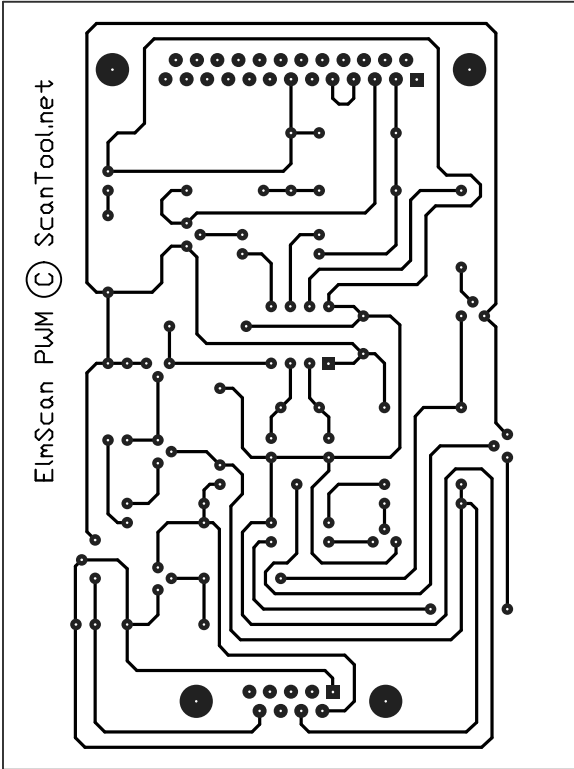
1.1

Date: 2/12/2003 11:01:00p

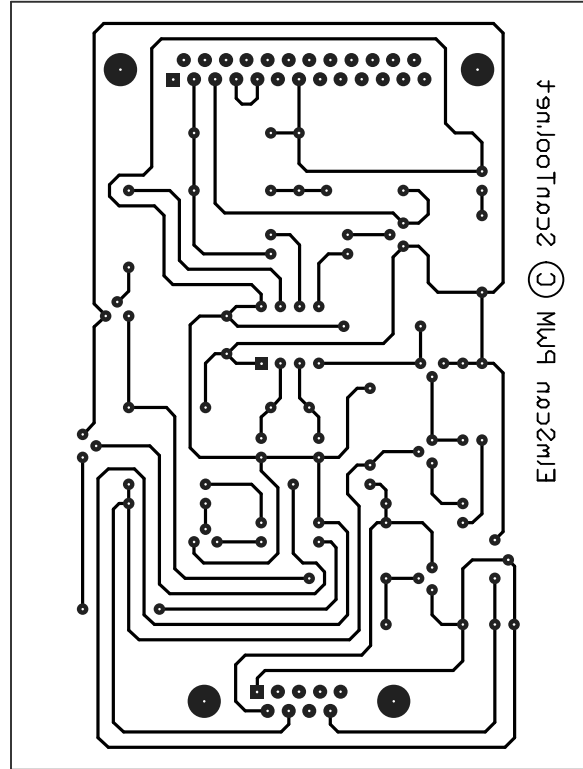
Sheet: 1/1

ElmScan PWM

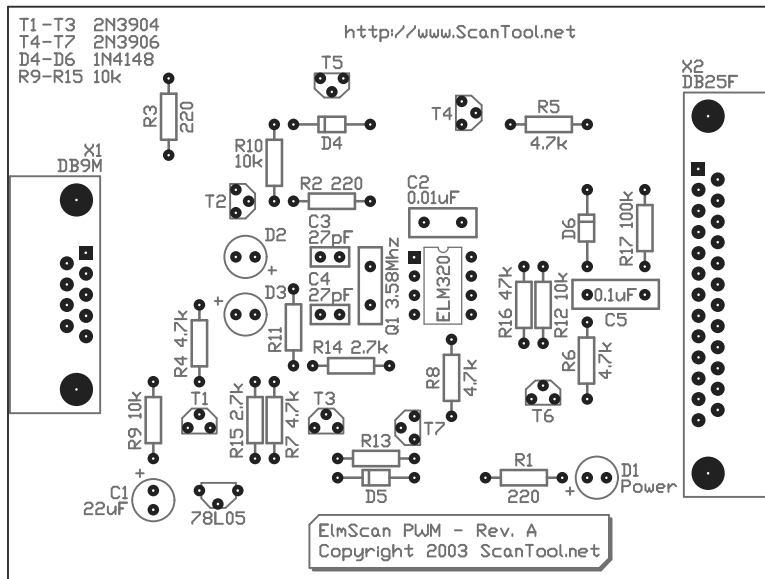
OBD-II J1850 PWM to RS-232 interface, PCB layout



non reflected



reflected



component view