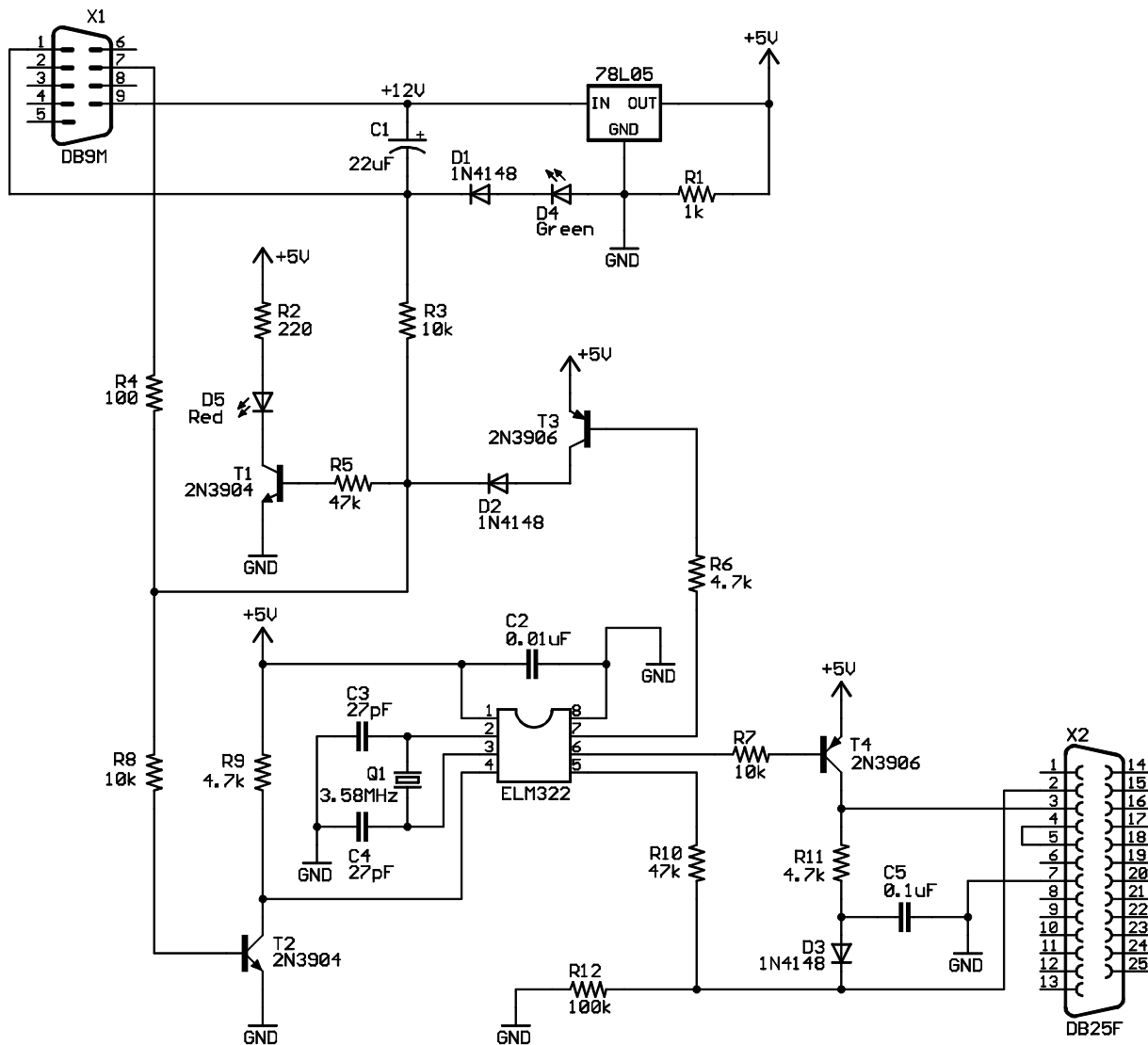


# OBD-II J1850 VPW to RS-232 interface circuit schematic

Copyright 2003 ScanTool.net, <http://www.scantool.net>



## ElmScan VPW Board

TITLE: elm\_vpw\_10

Document Number:

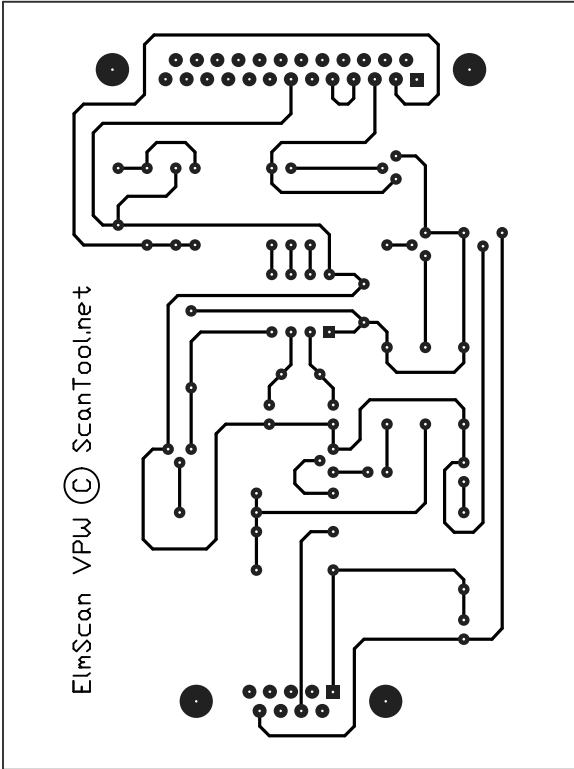
REV:  
1.0

Date: 1/27/2003 03:52:28a

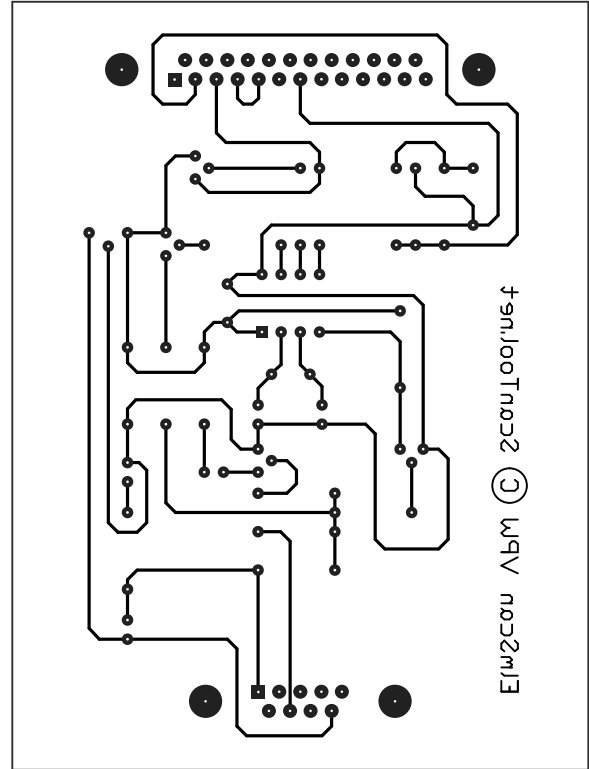
Sheet: 1/1

# ElmScan VPW

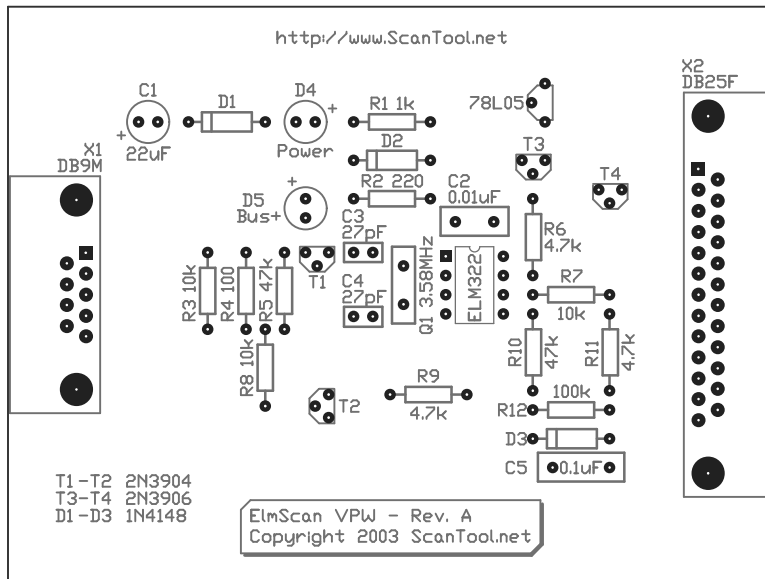
OBD-II J1850 VPW to RS-232 interface, PCB layout



non reflected



reflected



component view