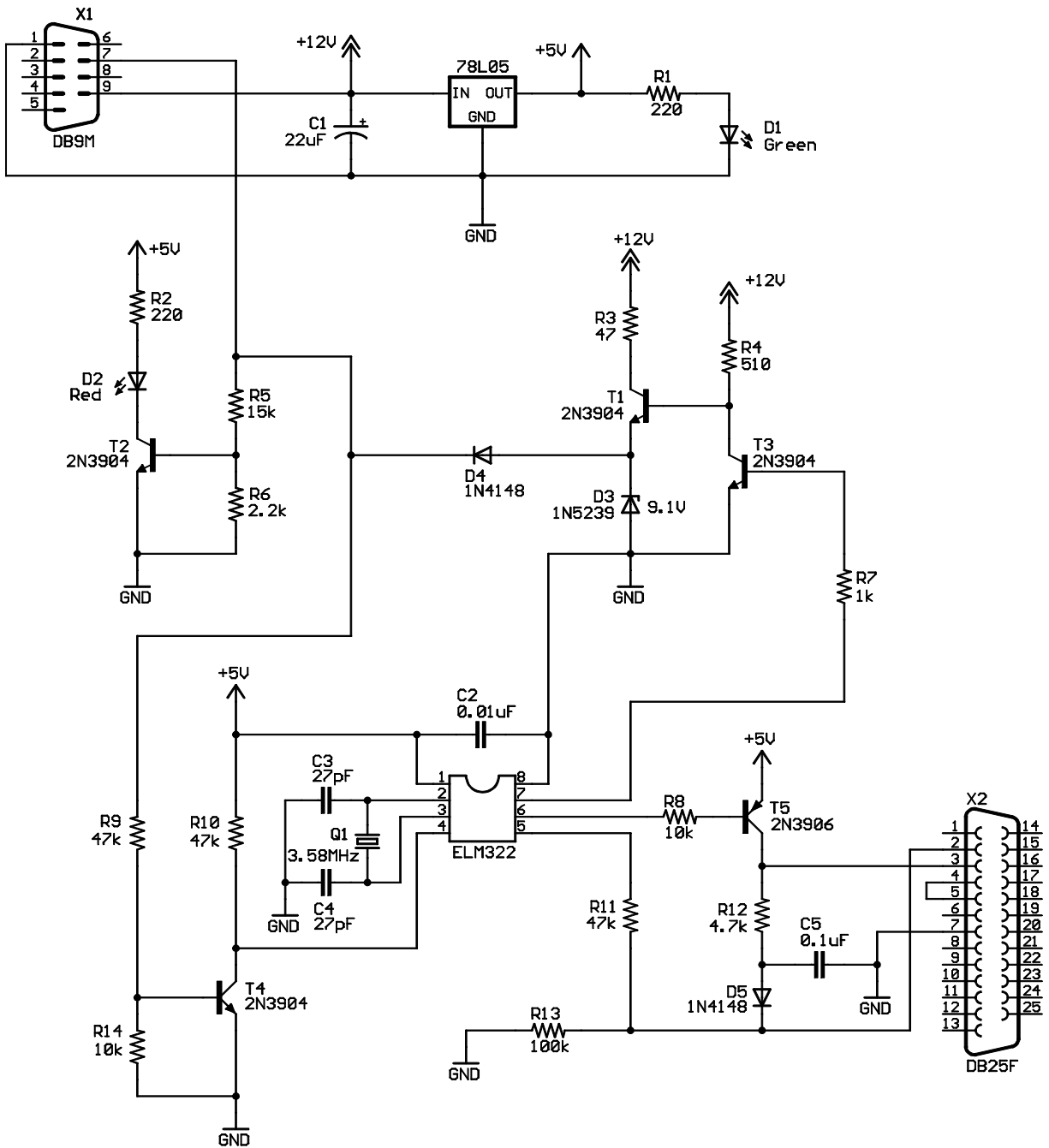


# OBD-II J1850 VPW to RS-232 interface circuit schematic

Copyright 2003 ScanTool.net, <http://www.scantool.net>



## ElmScan VPW Board

DATE: September 18, 2003

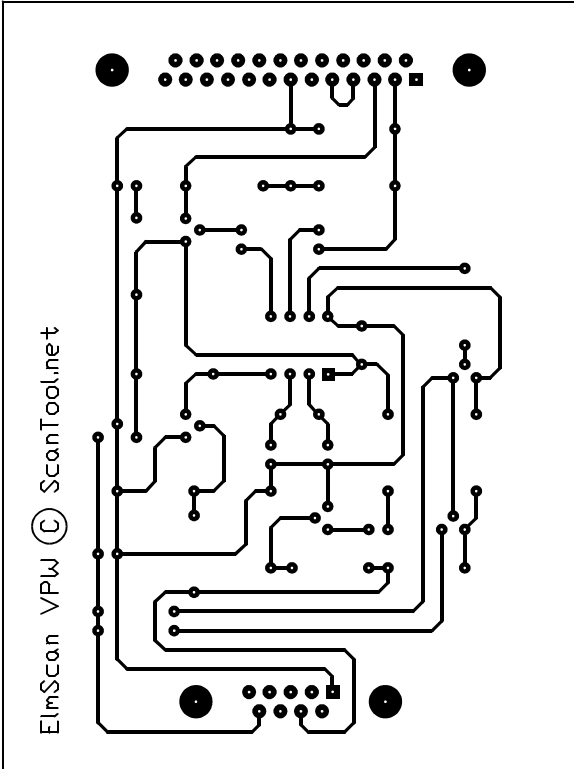
REV: 2.0

SHEET: 1/1

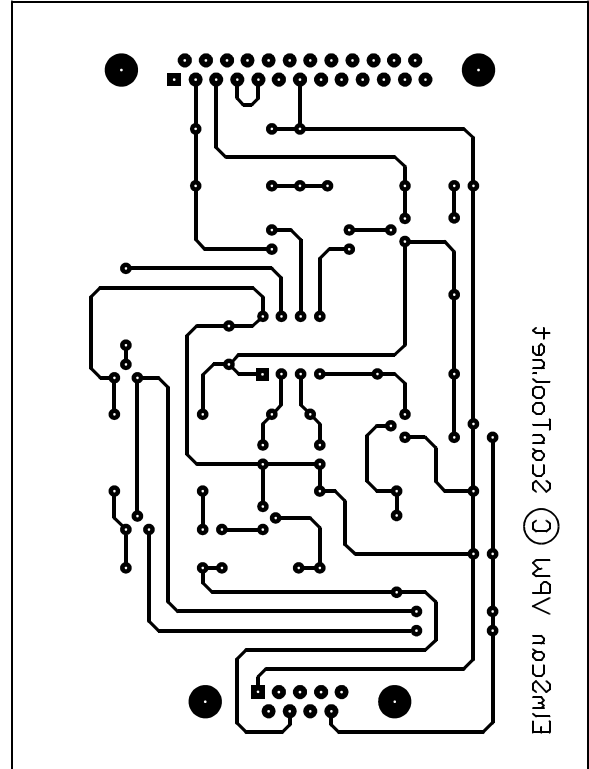
Notes: This schematic applies to PCB Rev. B only

# ElmScan VPW

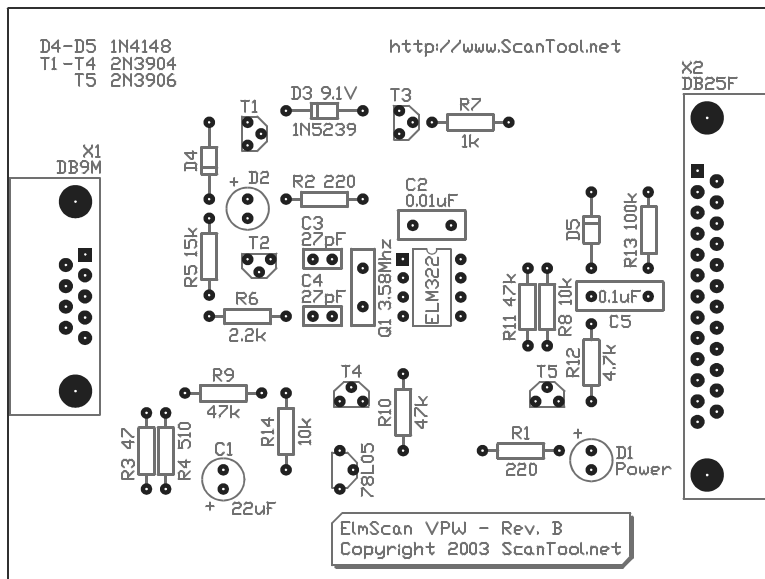
OBD-II J1850 VPW to RS-232 interface, PCB layout



non reflected



reflected



component view